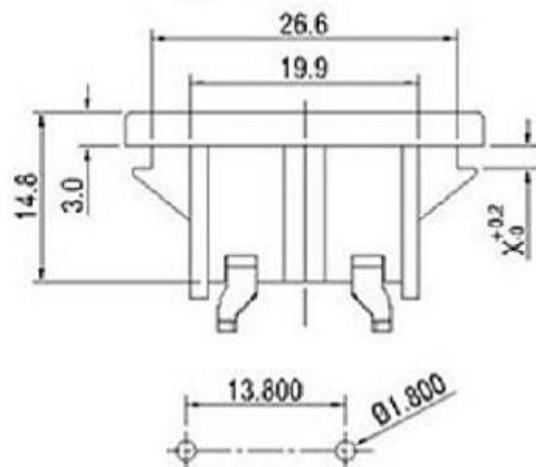
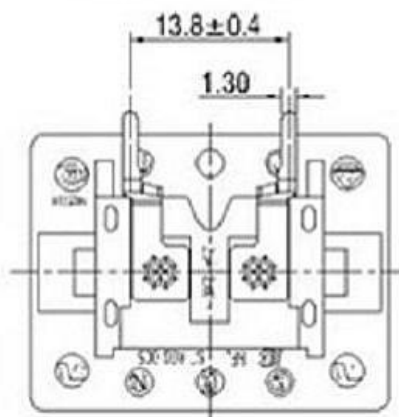
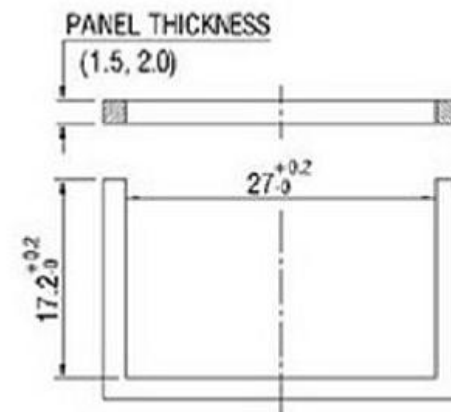


SECTION A-A



PCB LAYOUT



PANEL CUT-OUT

**SPEC:**

A. Material:

1. Housing: PBT WITH G/F30% UL 94V-0
2. Terminal: COPPER ALLOY, TIN PLATED

B. Electrical Characteristics:

1. Rating: 2.5A 250V~(UL, CUL, VDE, CCC, SEMKO, DEMKO, FIMKO, NEMKO, KC)
2. Electric Strength: AC 2,000 V FOR ONE MINUTE
3. Insulation Resistance: 100MΩ MIN, AT 500VDC

C. Approvals:

UL, CUL, VDE, CCC, SEMKO, DEMKO, FIMKO, NEMKO, KC

				普通公差	 <b>东莞市高迪电子有限公司</b>						
				COMMON TOLERANCE :							
				UP TO 5	±0.20	单位	mm	投影		品名	AC POWER JACK
				ABOVE 5 TO 30	±0.30	绘图	林晓良	核校		型号	
				ABOVE 30	±0.50	日期	19.08.12	核准	料号	KD-AC电源插座	
REV.	DATE	REVISION DESCRIPTION	ISSUE	ANGULAR	±5°	DATE		APPROVAL BY	PART NO.		